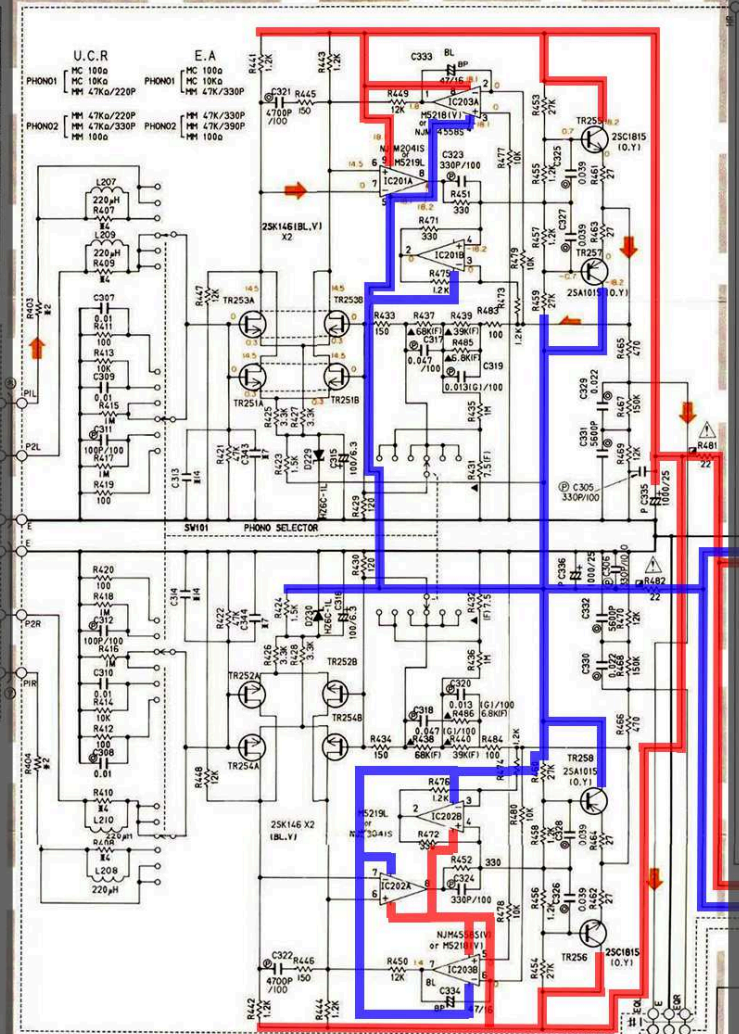
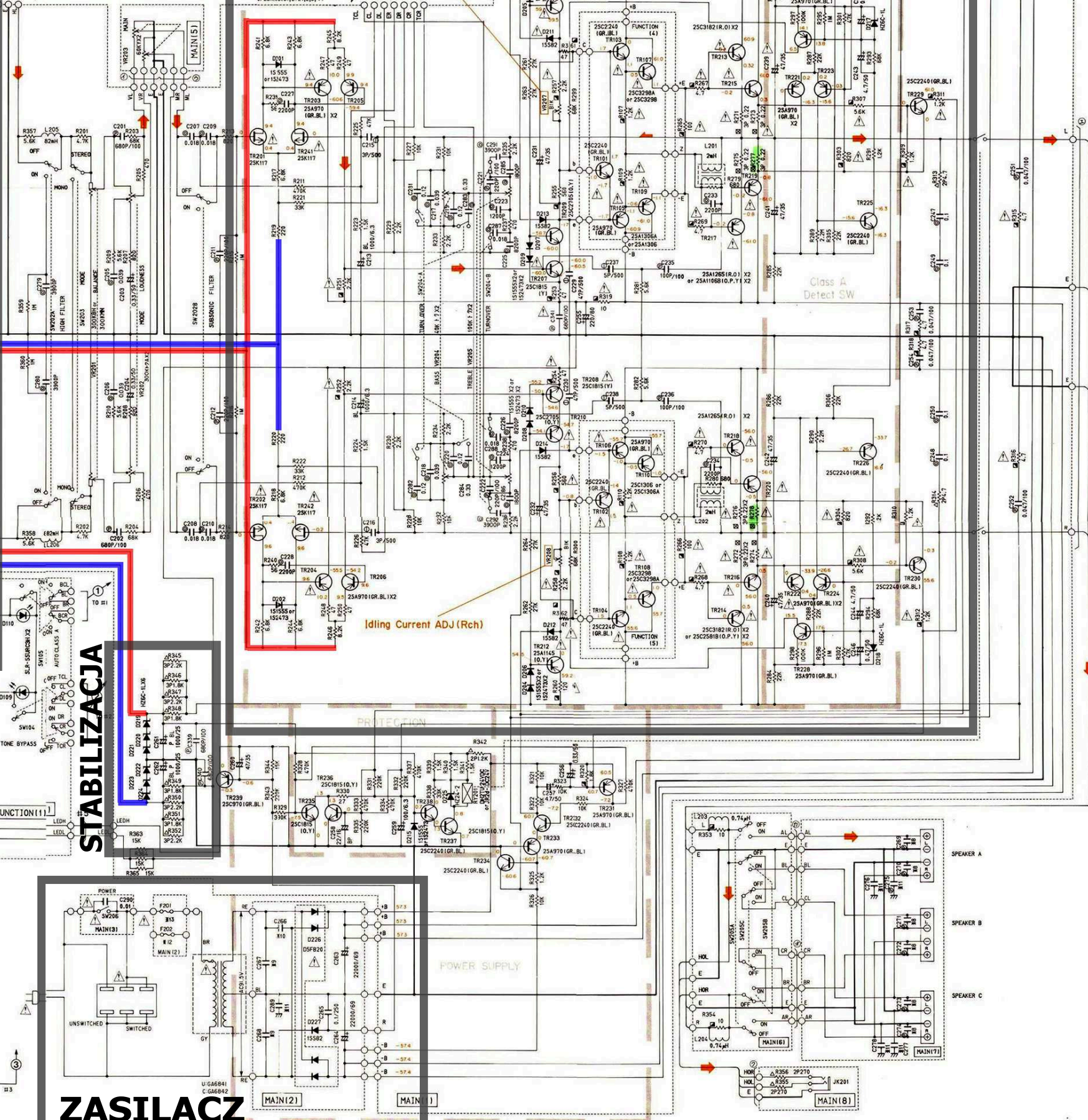


PHONO

	E.A	U.C	R
#1	L211,212	15μH	SHORT
#2	R403,404	56k	SHORT
#3	C301~304	220P/100	OPEN
#4	R407~410	4.7k	220k
#5	C101~114	470P	OPEN
#6	C343,344,337,338	220P/100	OPEN
#7	C267,268	0.01/250	OPEN
#8	C266	OPEN	0.01/250
#9	C275~278,289	0.01	OPEN
#10	F202	OPEN	1.0A/250V
#11	F201	T40A/250V	10A/250V
#12	C313,314	OPEN	220P/100



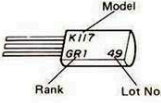
← AUDIO SIGNAL
 → RECORDING SIGNAL



ZASILACZ

Note: The same rank FETs must be used for TR201, TR202, TR241, TR242. FETs are classified into four rank (GR1, GR2, GR3, GR4).

25C25818 (O, P, Y)	25A1306A	25SK146 (BL, V)	25K117 (GR1, 2, 3, 4)	25A970 (GR, BL)	HZ24-2	D5F820	M5218L
25C3182 (R, O)	25A1306B			25A1015 (Y)	1S2473		NJM4558S (F)
25A11068 (O, P, Y)	25A1306			25C1815 (Y)	1S1555		NJM2041S
25A1265 (R, O)	25C3298			25C2240 (GR, BL)	HZ6C-1L		
				25C2705 (O, Y)	1SS82		



YAMAHA A-1020

OPRAWOWANIE: BK

All voltages are measured with a 10MΩ/DC electric volt meter.
 AUTO CLASS A → OFF Lch
 AUTO CLASS A → ON Rch
 Components having special characteristics are marked with a triangle and must be replaced with parts having specifications equal to those originally installed.
 Schematic diagram is subject to change without notice.